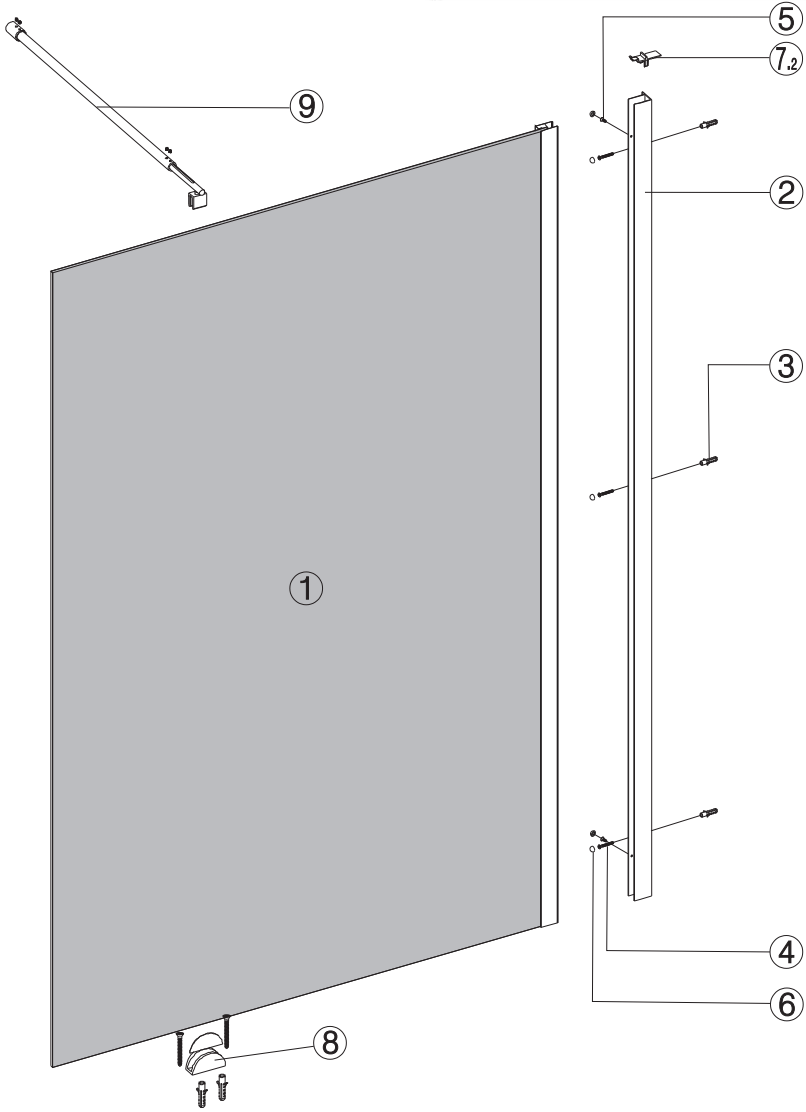
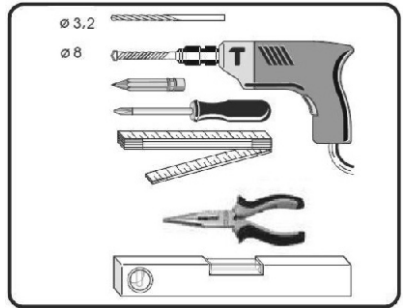
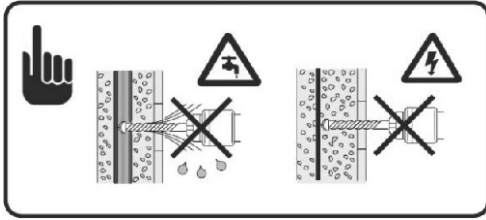
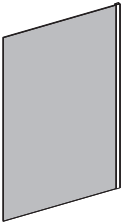
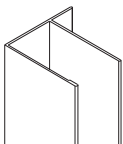

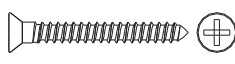
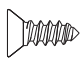

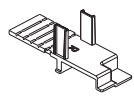
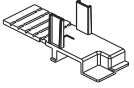
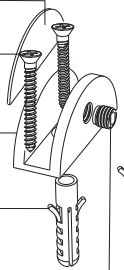




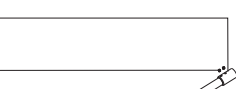




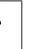





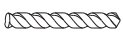


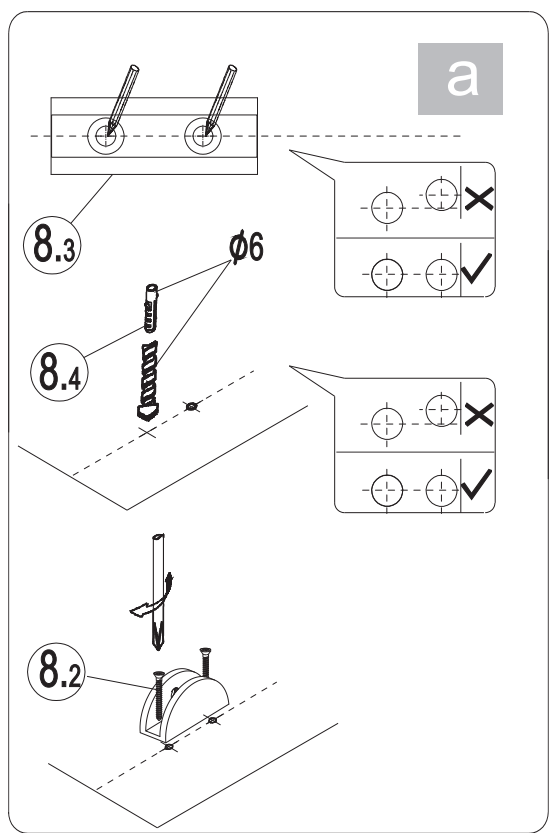
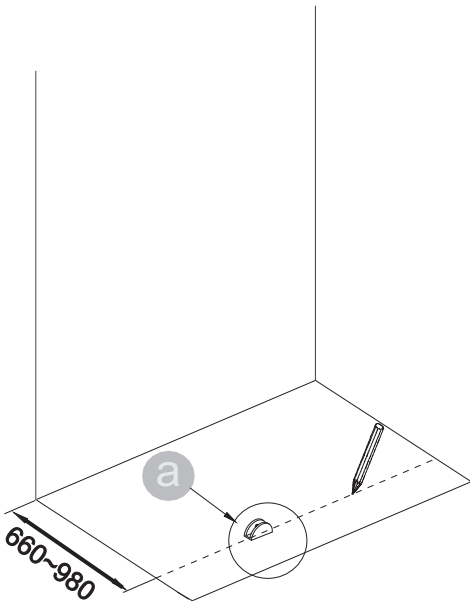
AZS100660-000/B



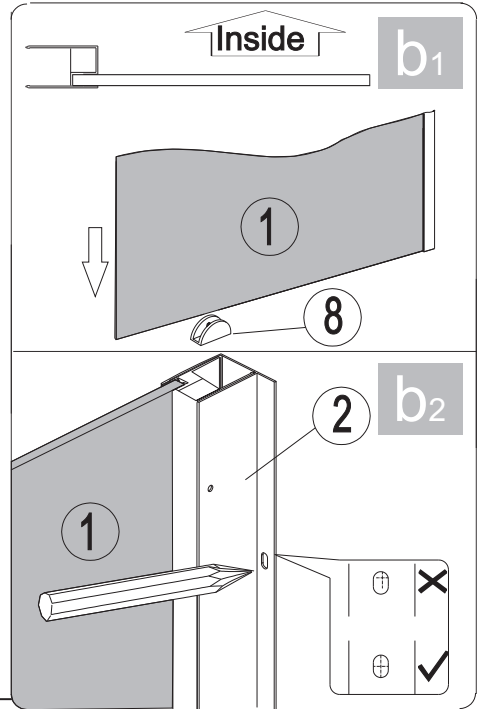
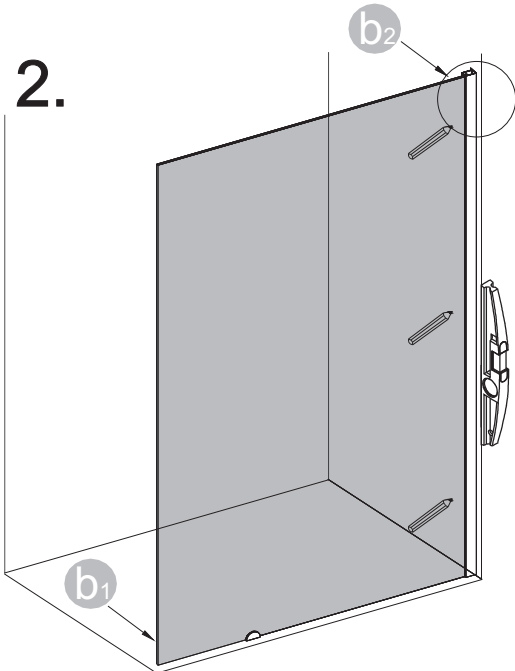
NO.	Designation	Pieces
1		X1
2		X1
3	 $\phi 8$	X4
4	 \oplus ST4X35	X4
5	 \oplus ST4X10	X3
6		X6
7.1		X1
7.2		X1

NO.	Designation	Pieces
8.1		X1
8.2		X2
8.3		X1
8.4		X2
8.5		X1
9.1		X1
9.2		X2
9.3		X1
9.4		X2
9.5		X1
9.6		X1
9.7		X1
9.8		X2
		
	 $\phi 6$	
	 $\phi 8$	
	 $\phi 3.2$	

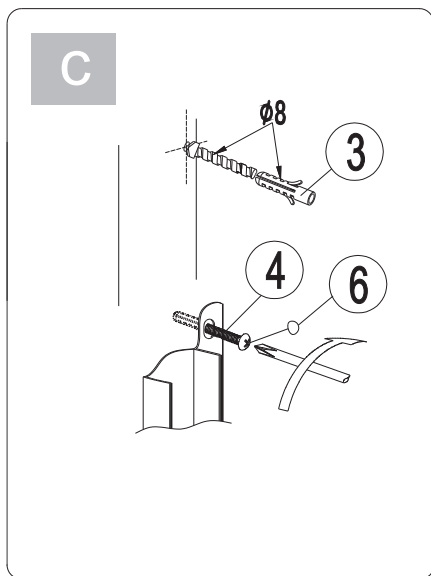
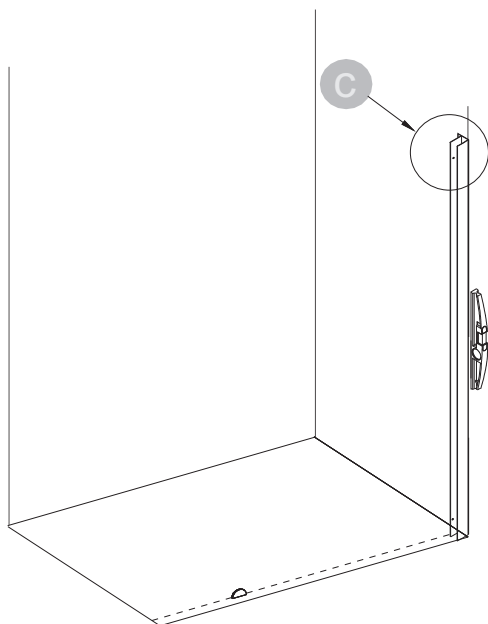
1.



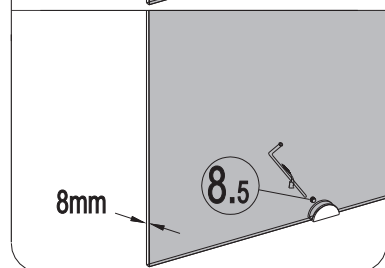
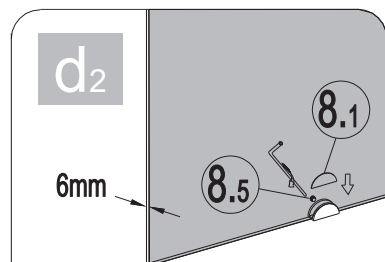
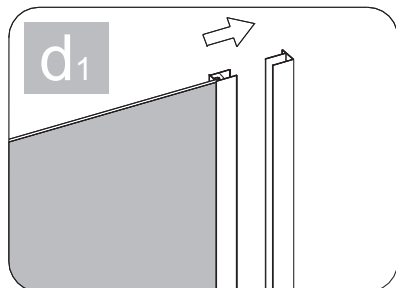
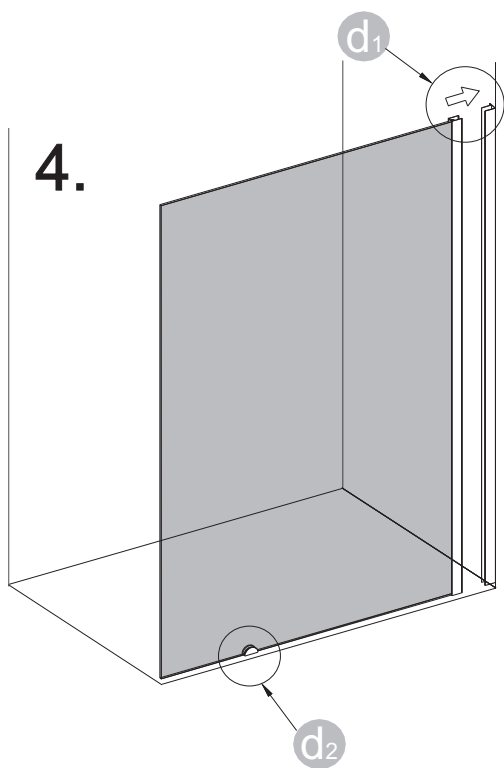
2.



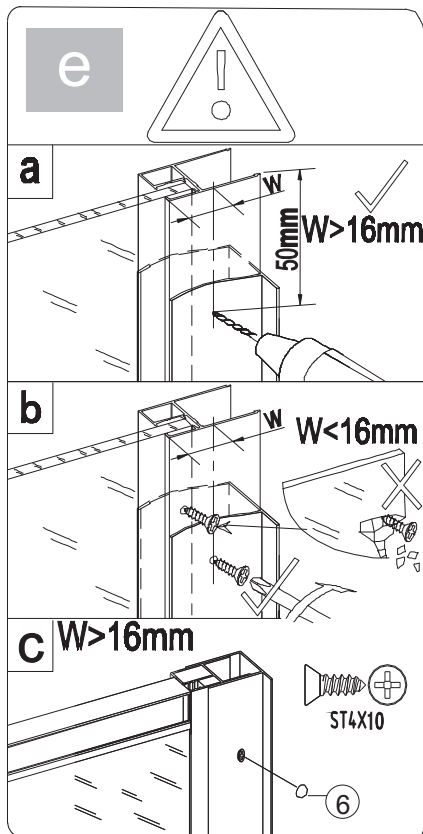
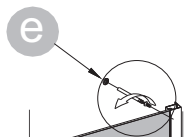
3.



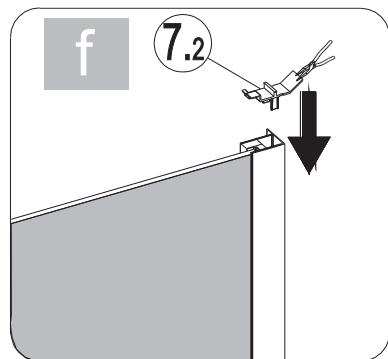
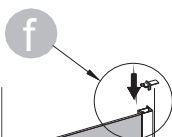
4.



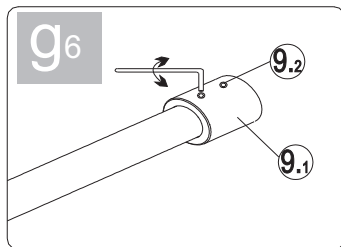
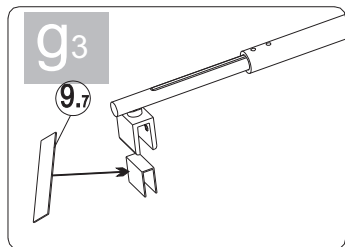
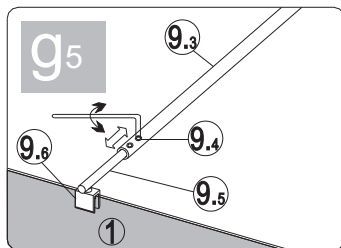
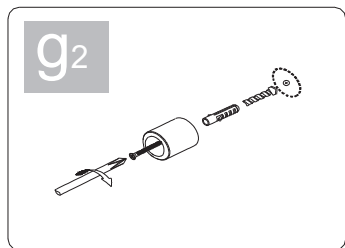
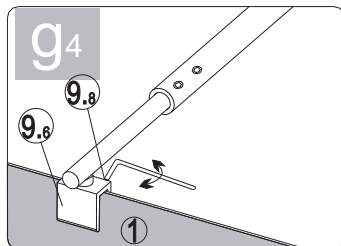
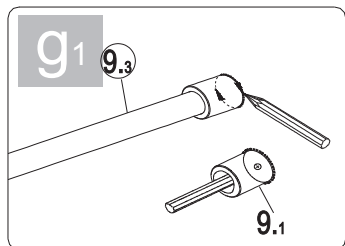
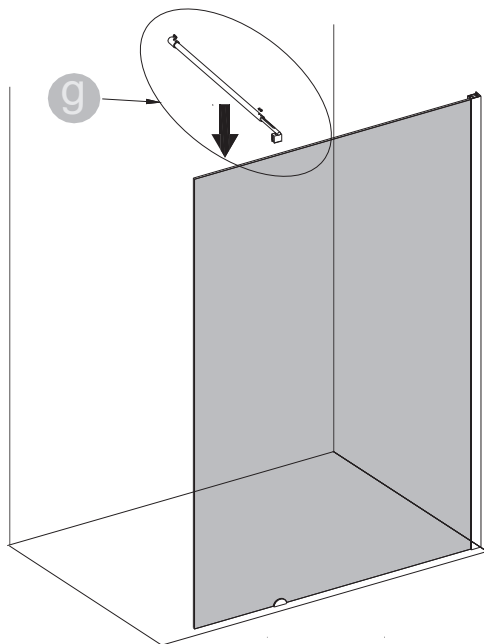
5.



6.



7.



8.

