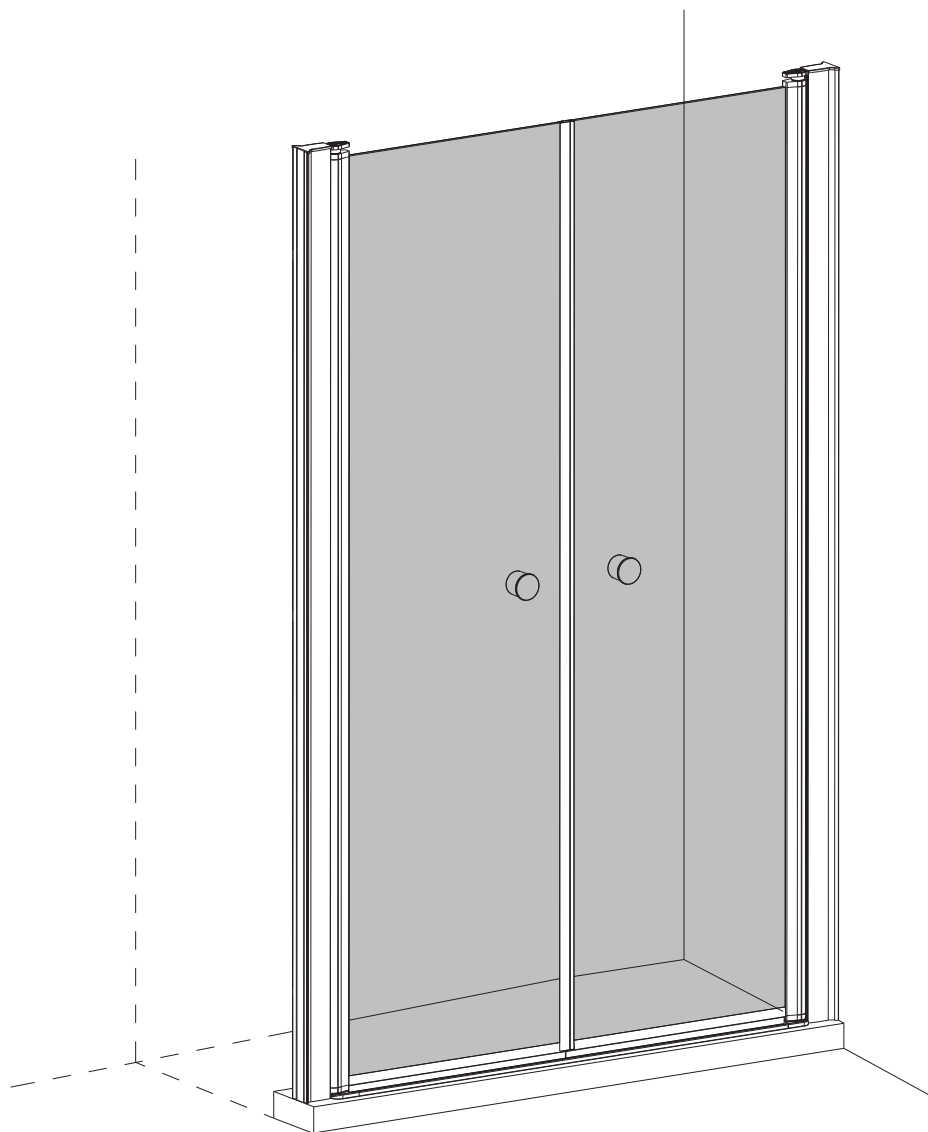
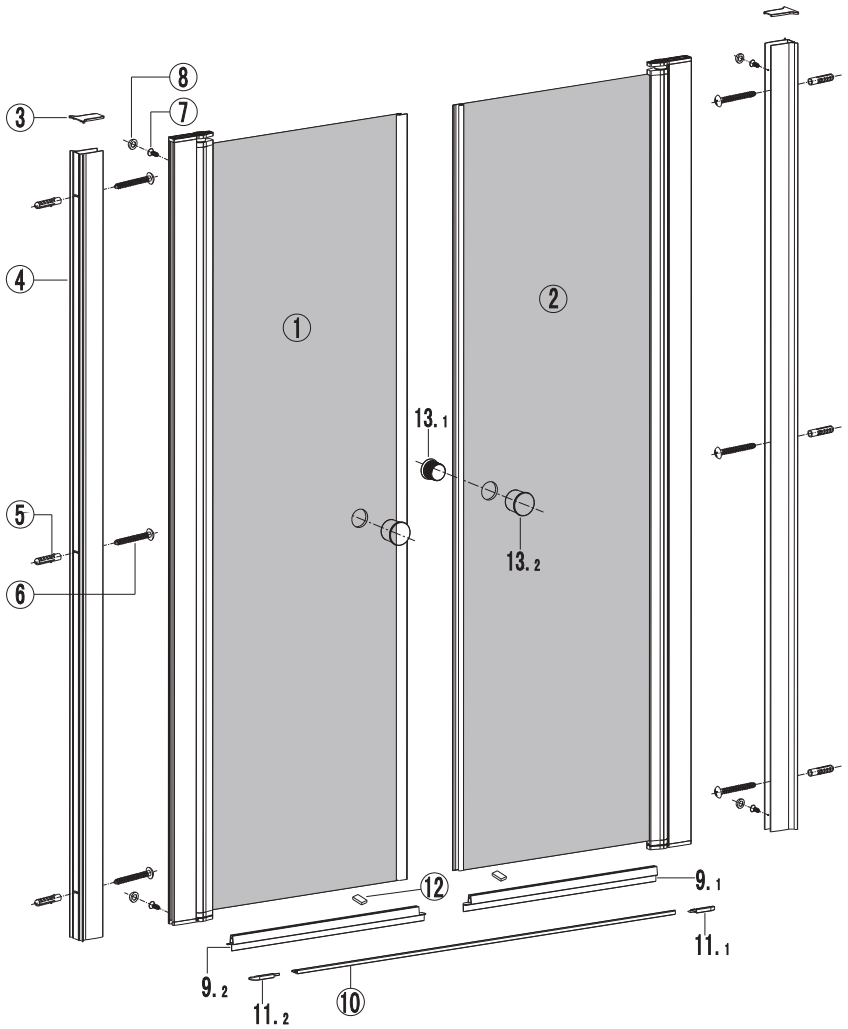
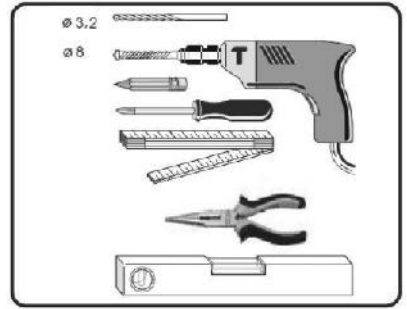
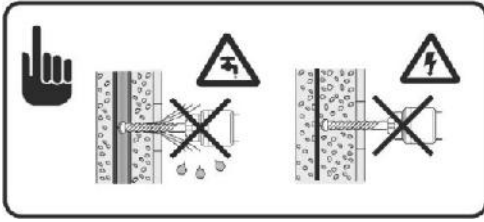
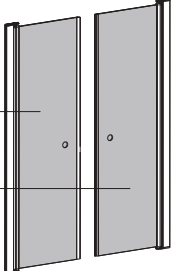
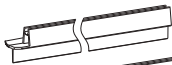
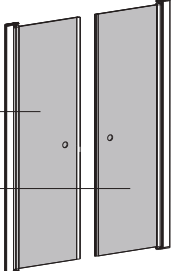



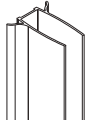
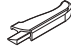



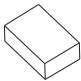









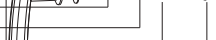
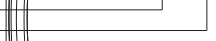





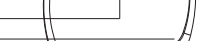
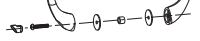






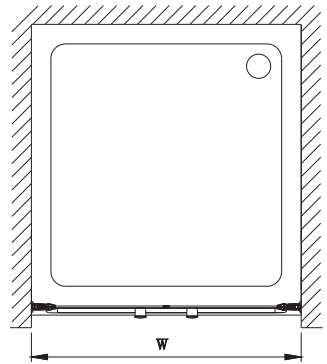
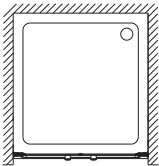
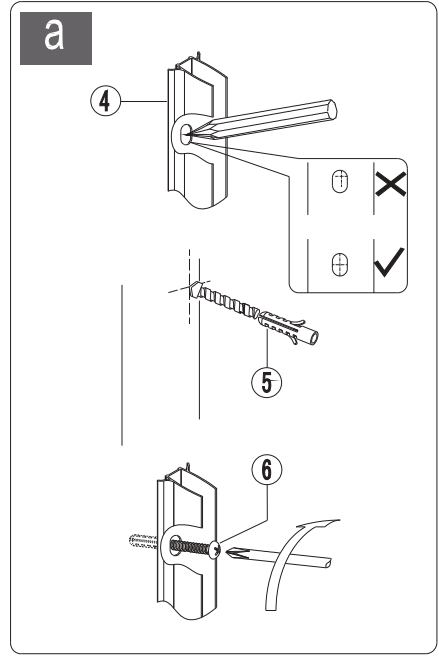
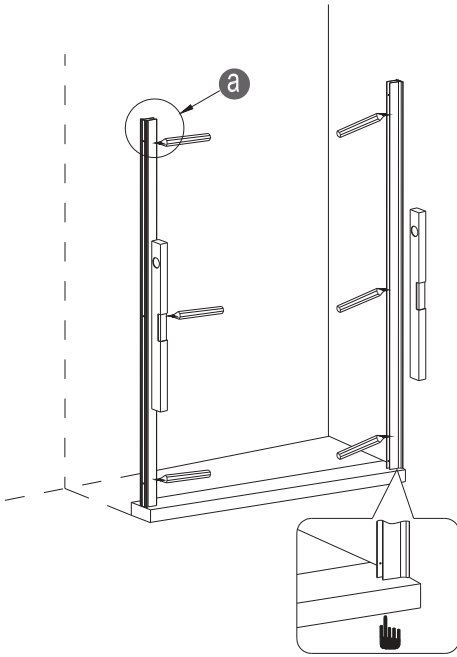
Инструкция по монтажу модели RGW PA-04





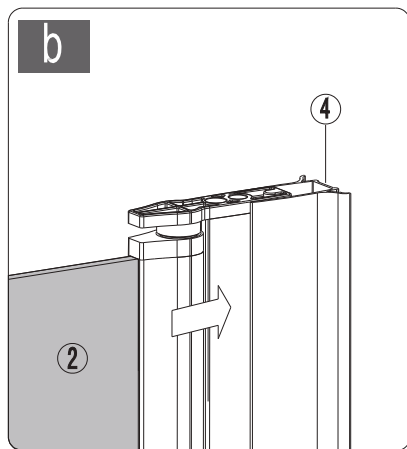
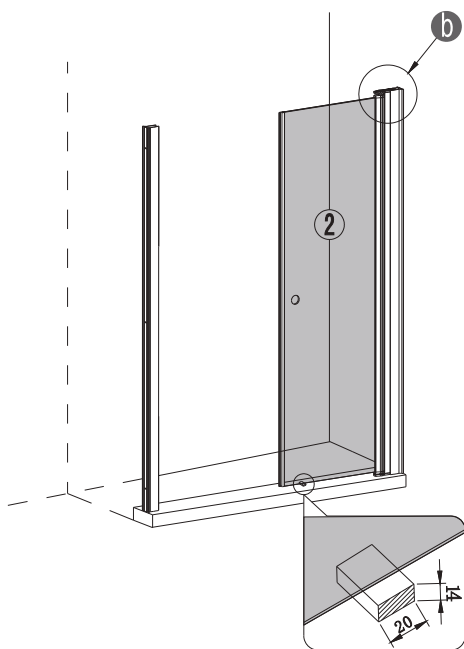
NO.	Designation	Pieces	NO.	Designation	Pieces
1		X1	9.1		X1
2		X1	9.2		X1
3		X2	10		X1
4		X2	11.1		X1
5	 $\phi 8$	X6+1	11.2		X1
6	 $\phi 8$ ST4X35	X6+1	12		X1
7	 $\phi 8$ ST4X12	X4+1	A.1		X2
8		X4+1	A.2		X2
			B.1		X4
			B.2		X4
			B.3		X2
			B.4		X2
			C.1		X2
			C.2		X4
			C.3		X4
			C.4		X8
			C.5		X2
			C.6		X2
			D.1		X4
			D.2		X4
			D.3		X2
			D.4		X8
			D.5		X4
			D.6		X2
				 $\phi 8$	
				 $\phi 3.2$	

1.

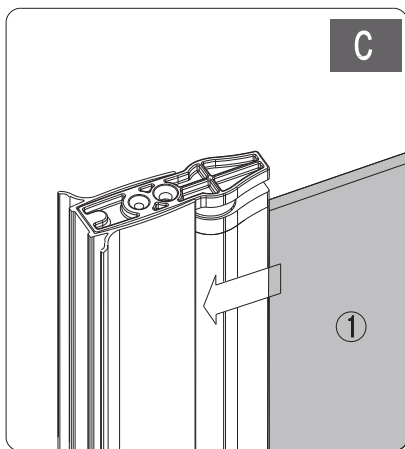
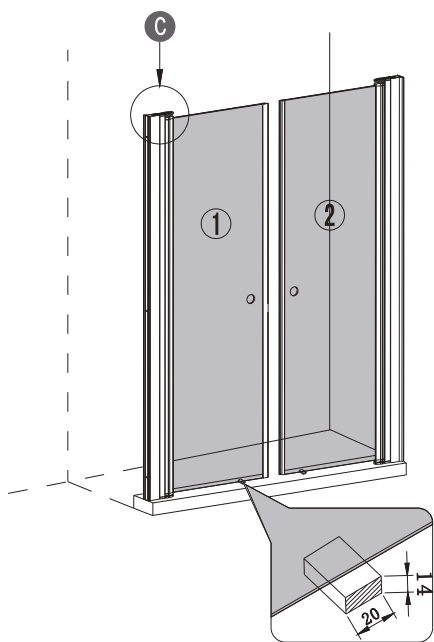


	P	W
750	750-800	800
850	850-900	900

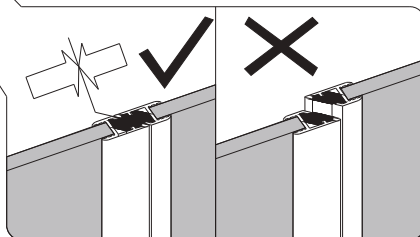
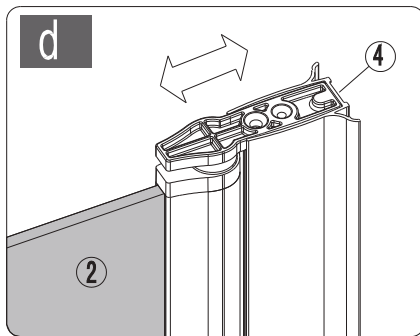
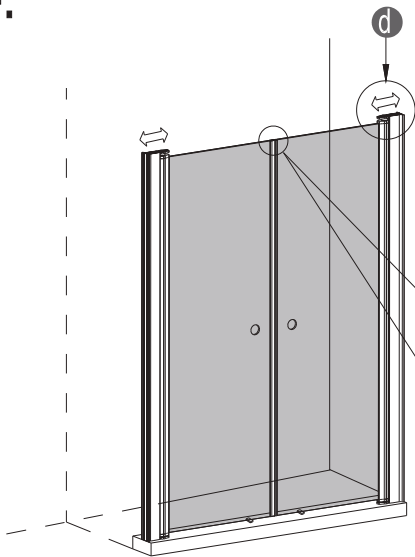
2.



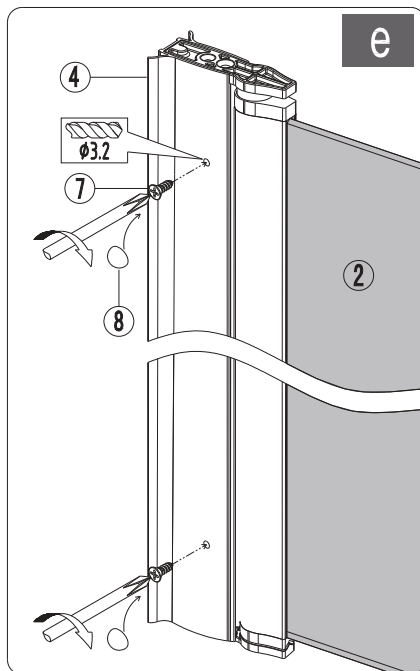
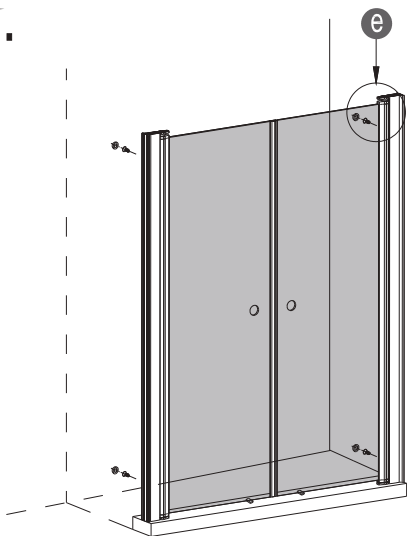
3.



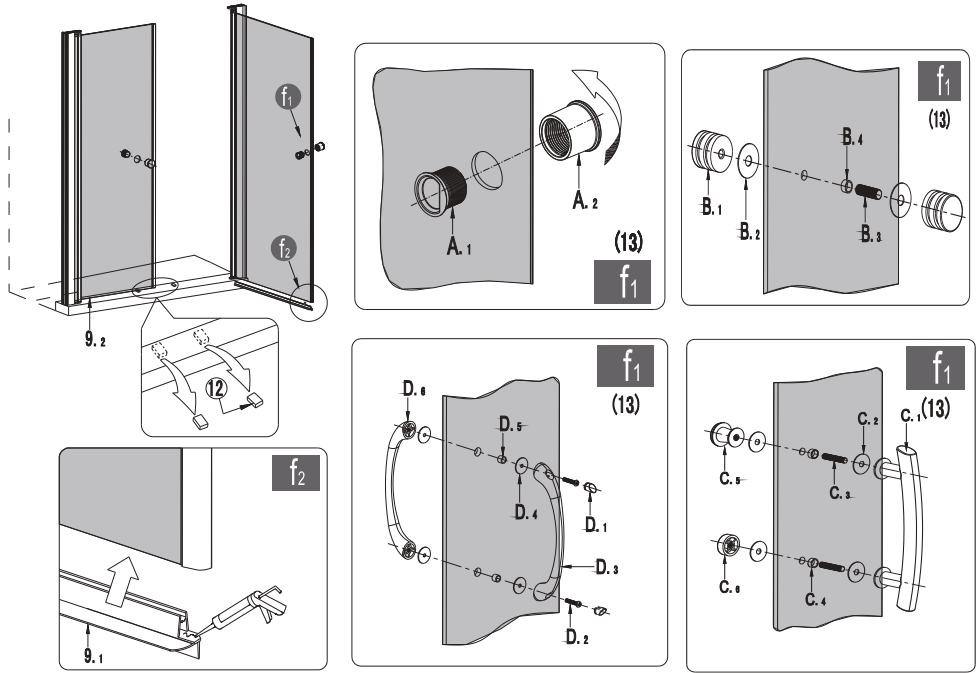
4.



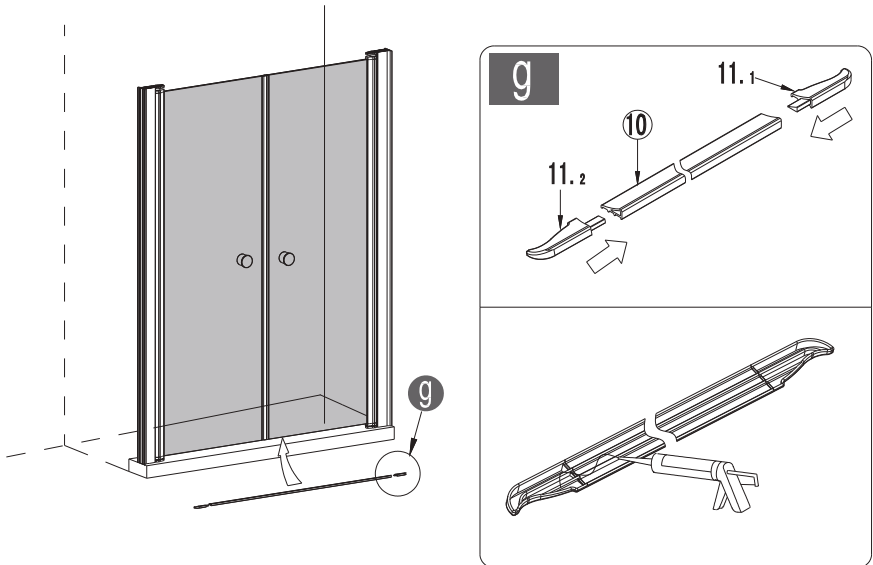
5.



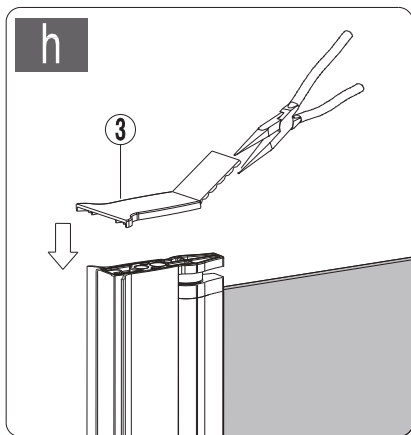
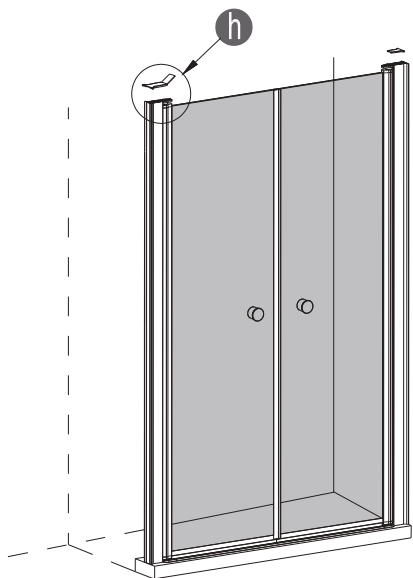
6.



7.



8.



9.

