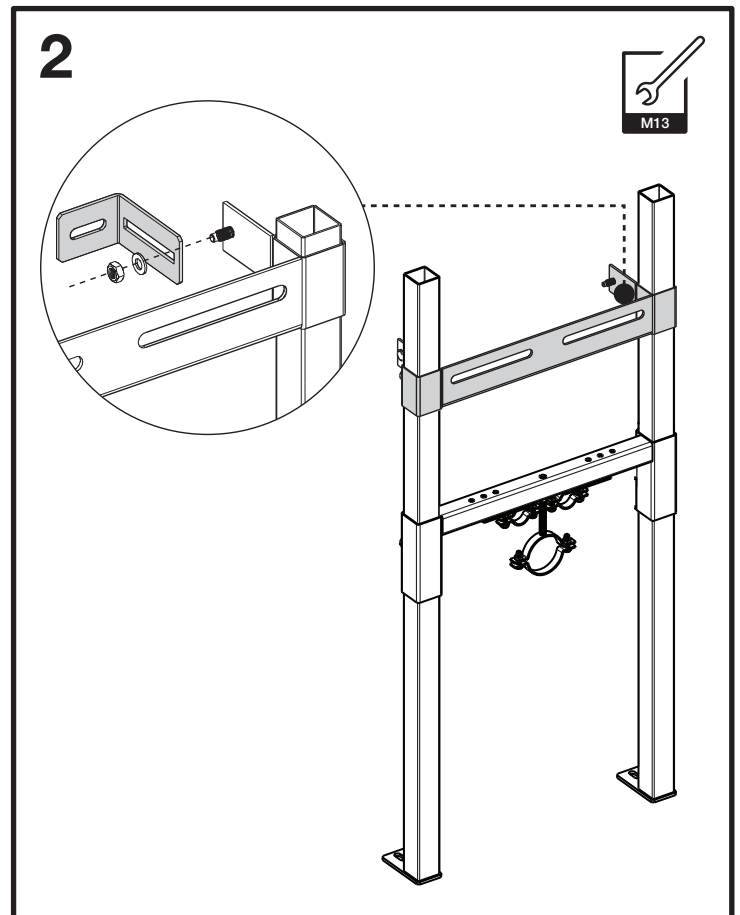
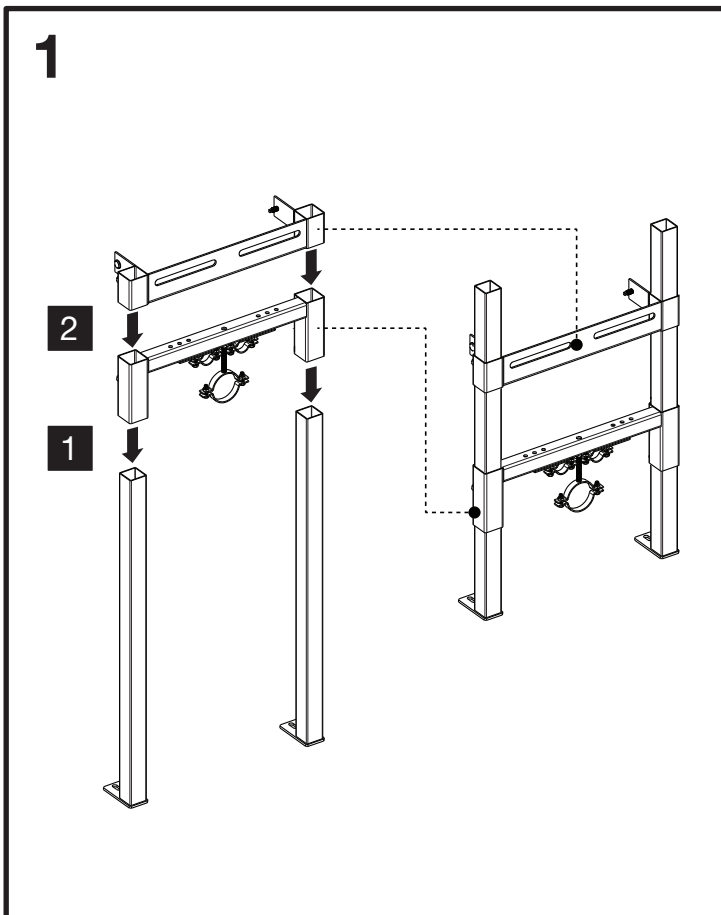
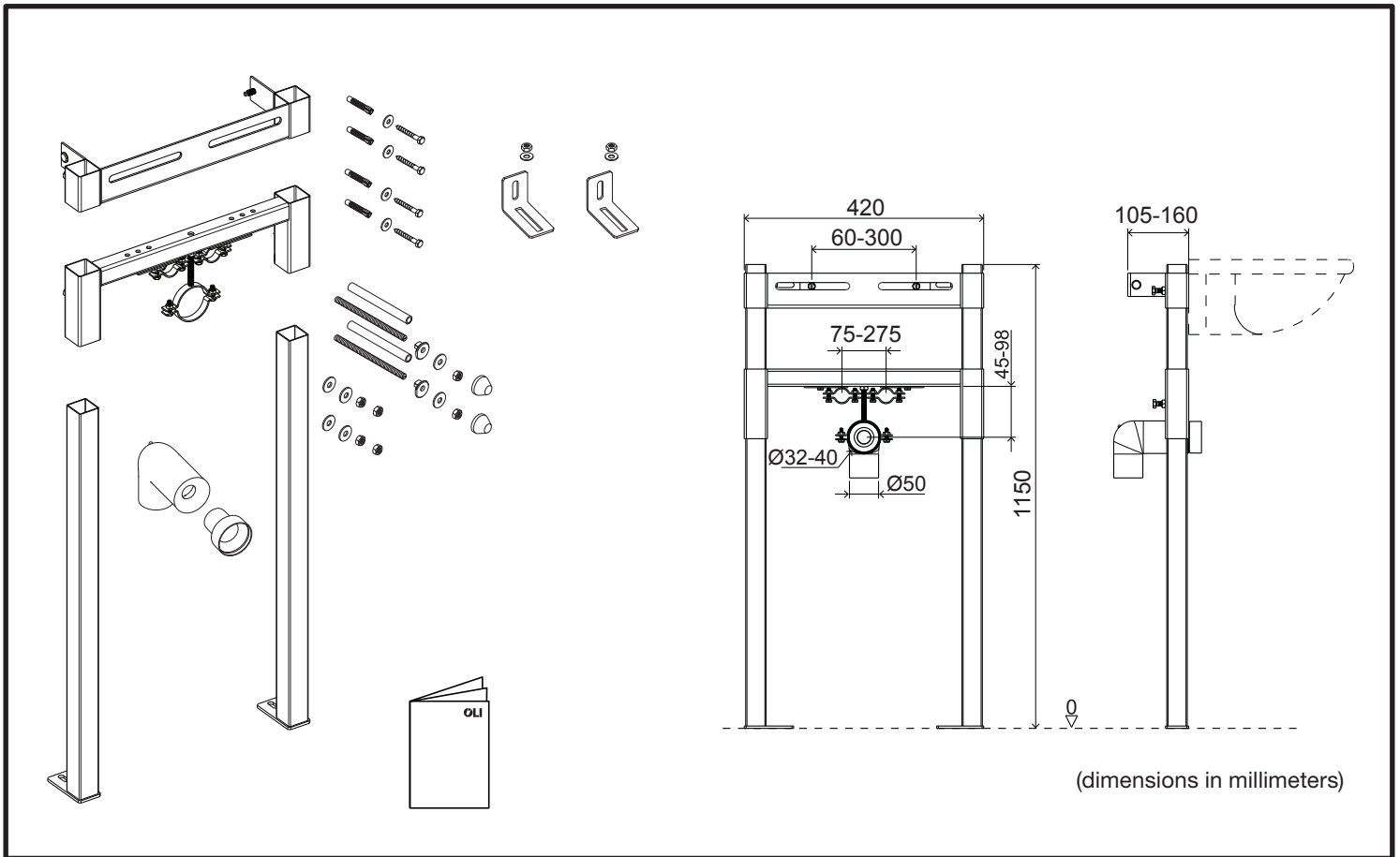
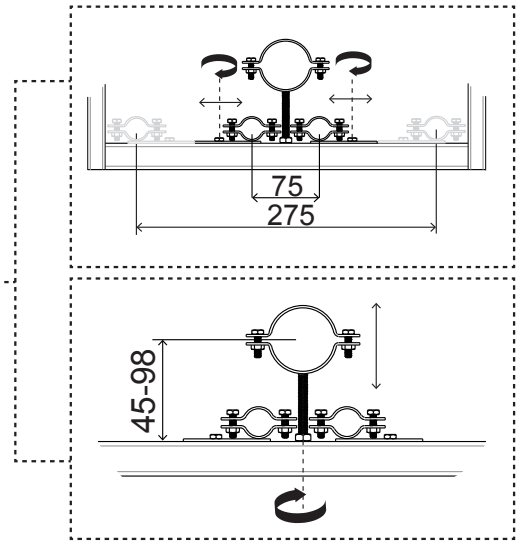
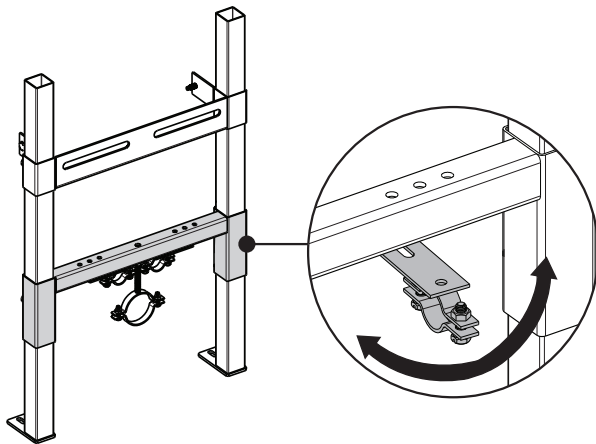


WASHBASIN

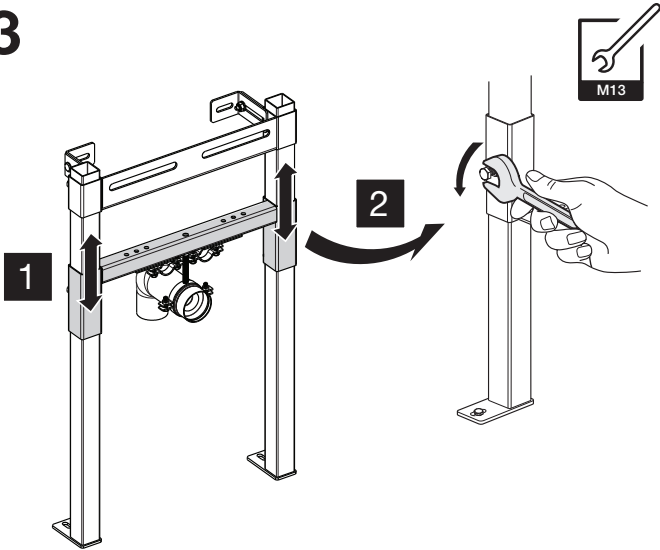
SANITARBLOCK



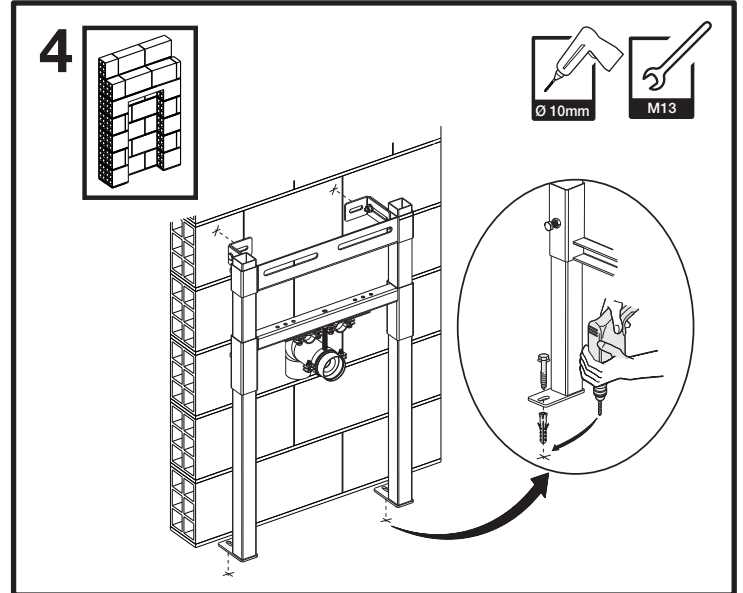
i



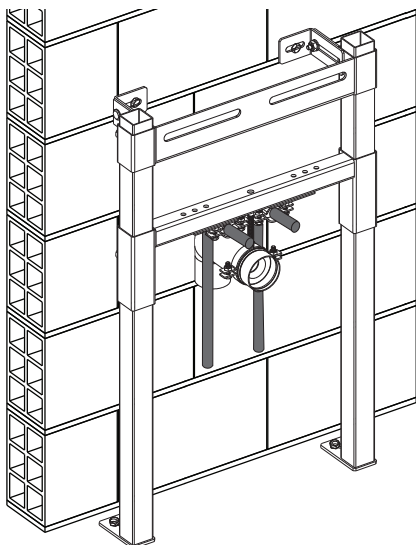
3



4



5



6

