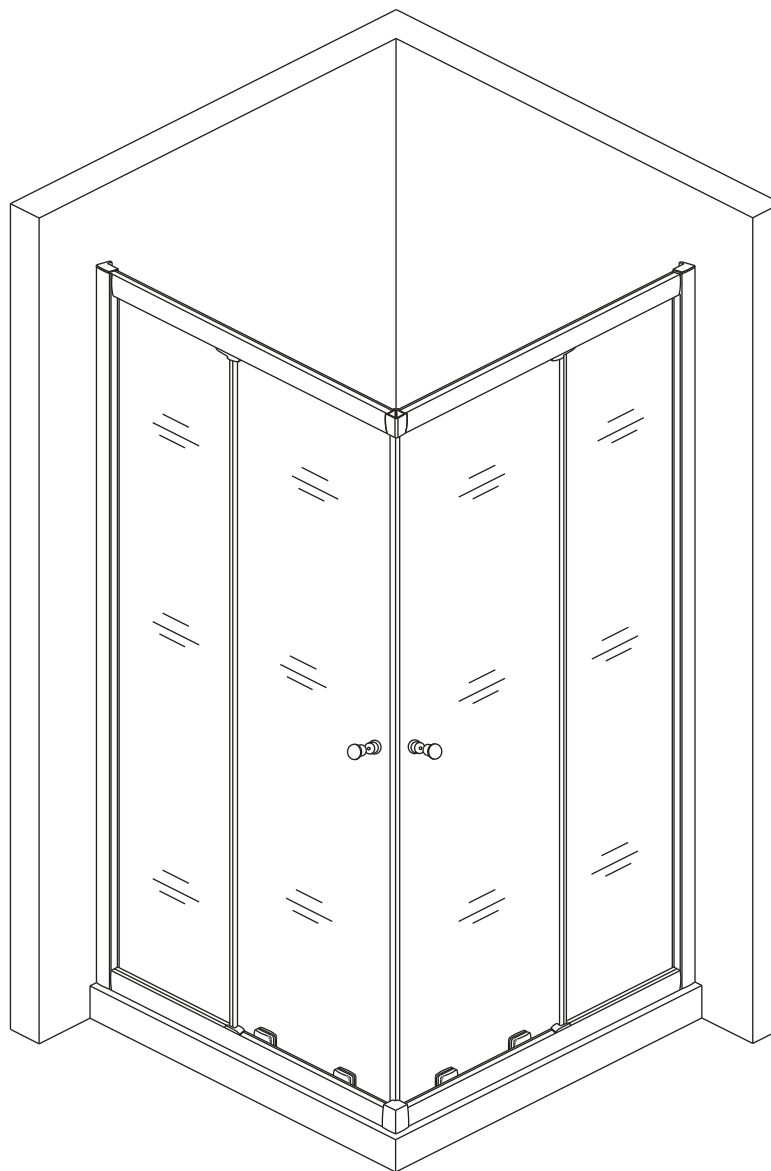
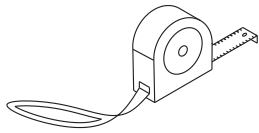


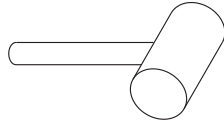
# Installation Manual



# TOOLS REQUIRED



TAPE MEASURE



RUBBER HAMMER



FLAT AND CROSS HEAD SCREWDRIVERS



SPIRIT LEVEL



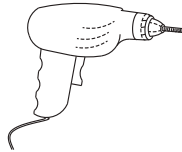
SILICONE & GUN



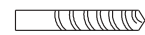
PENCIL



HEXAGON KEY

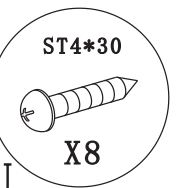
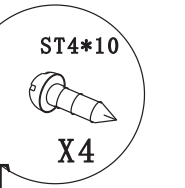
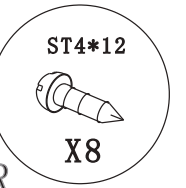
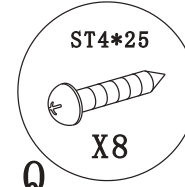
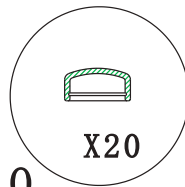
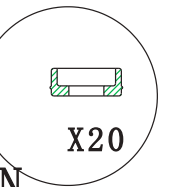
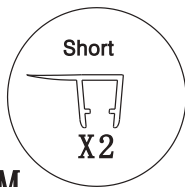
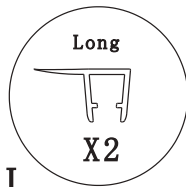
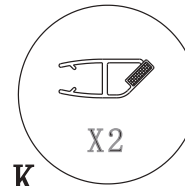
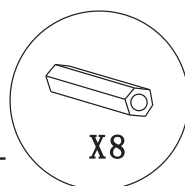
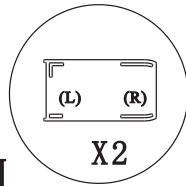
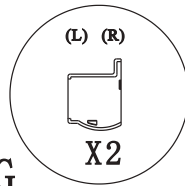
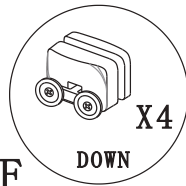
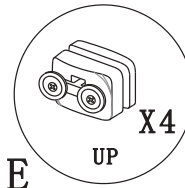
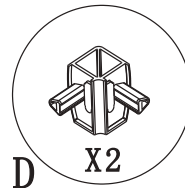
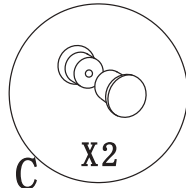
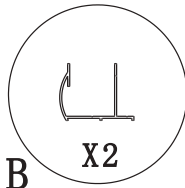
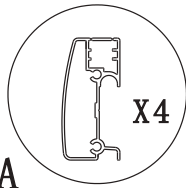


ELECTRIC DRILL

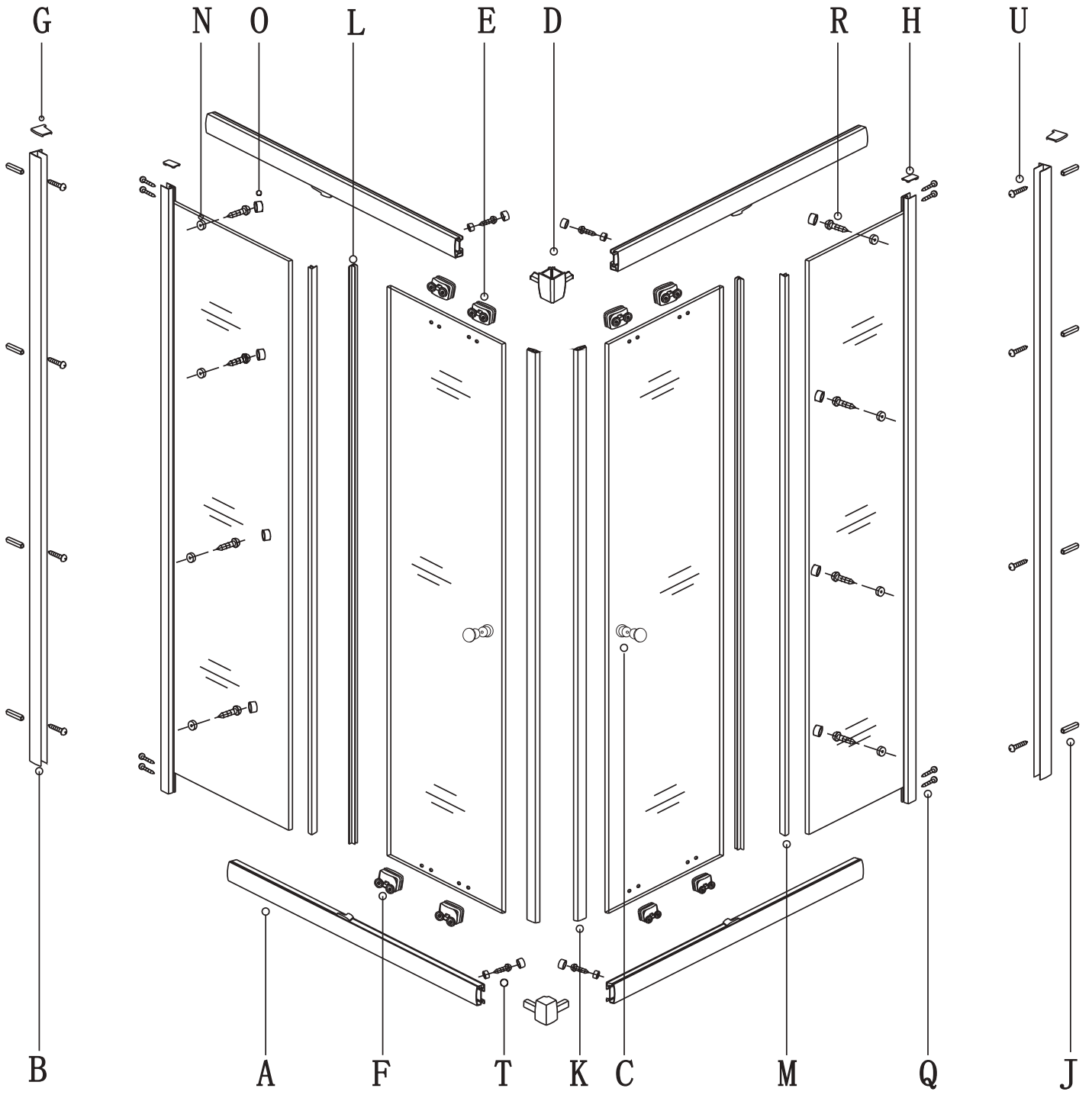


DRILL BIT

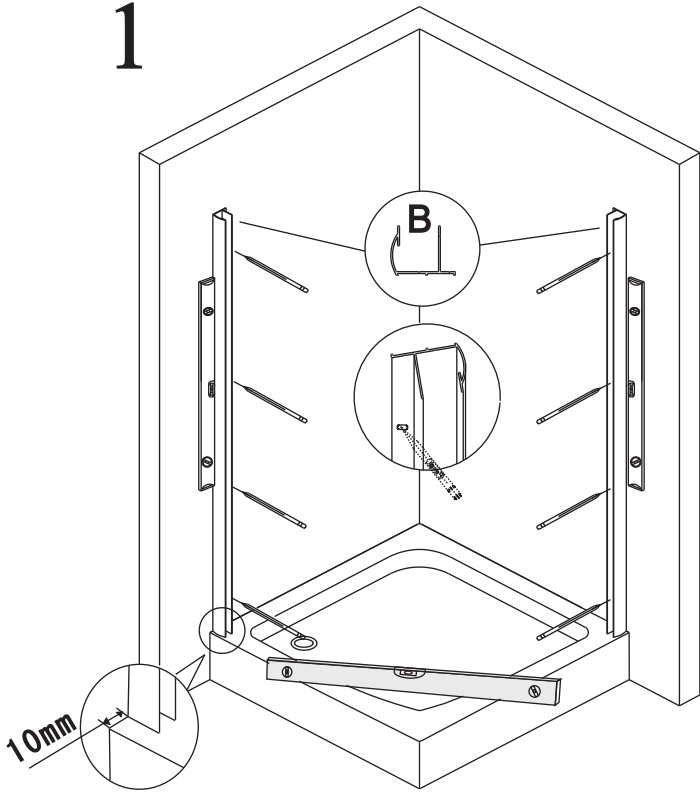
# LIST OF SPARE PARTS



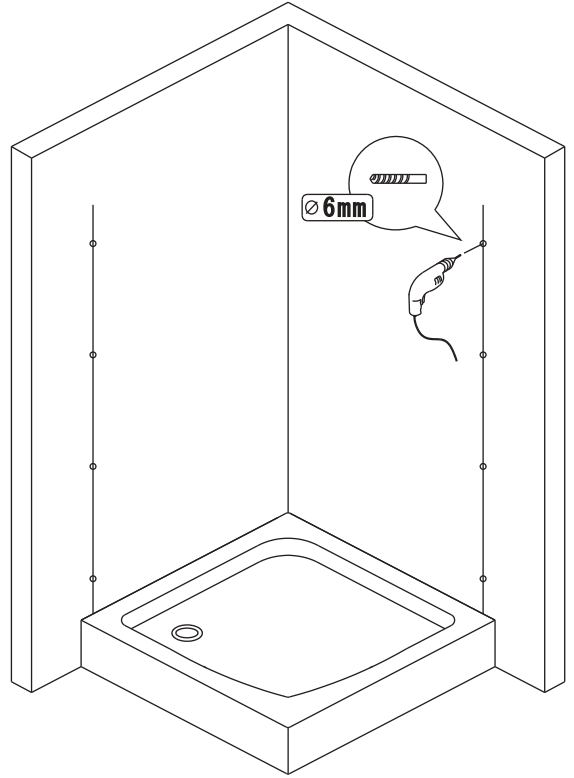
# Product schematic diagram



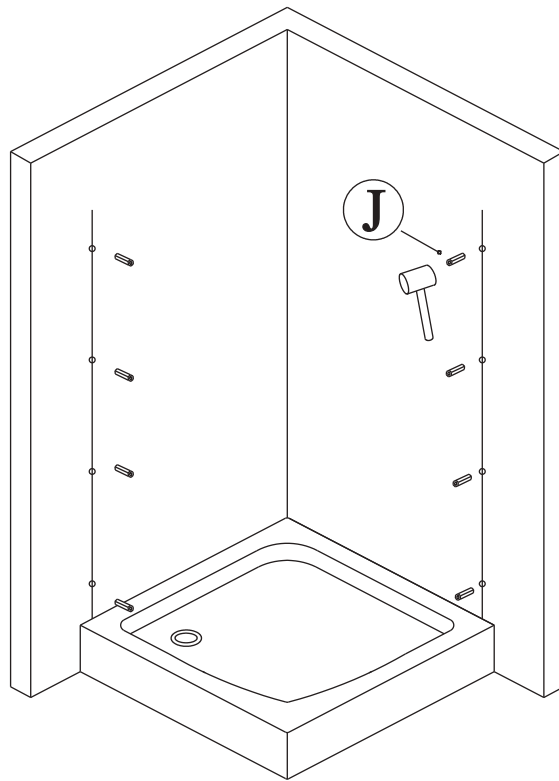
1



2

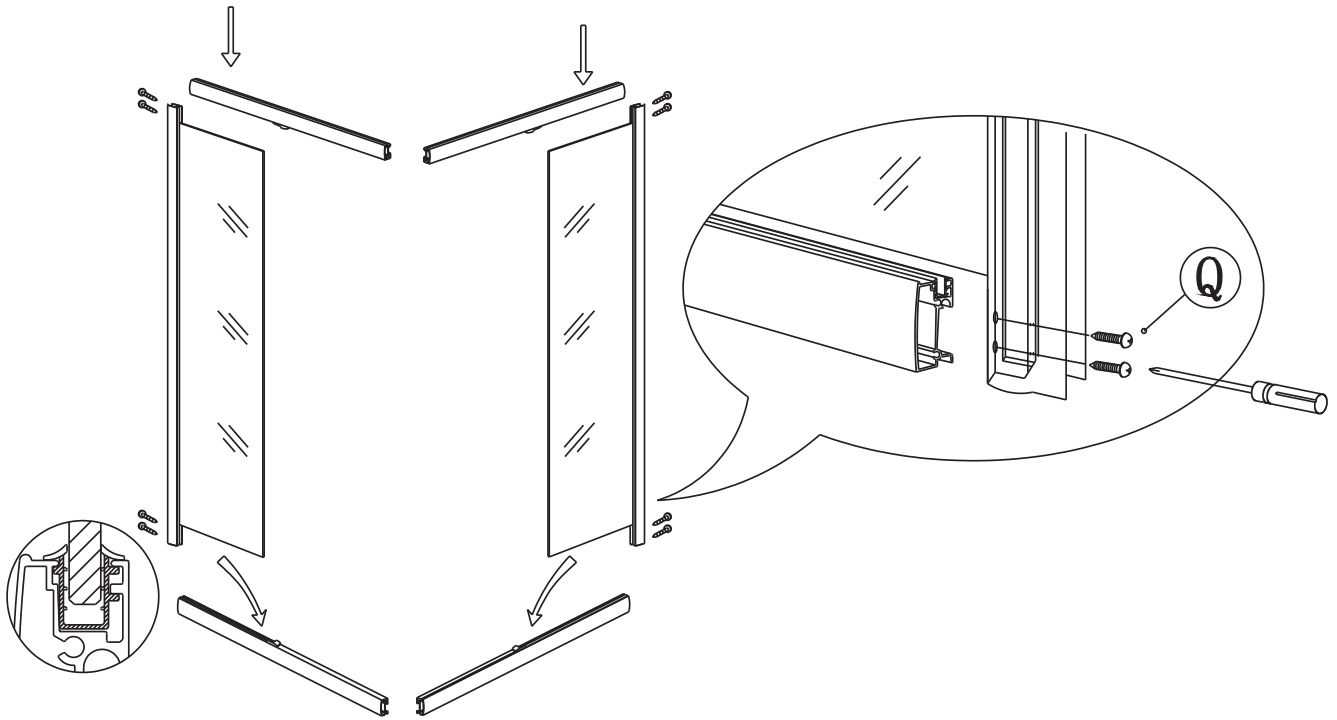


3

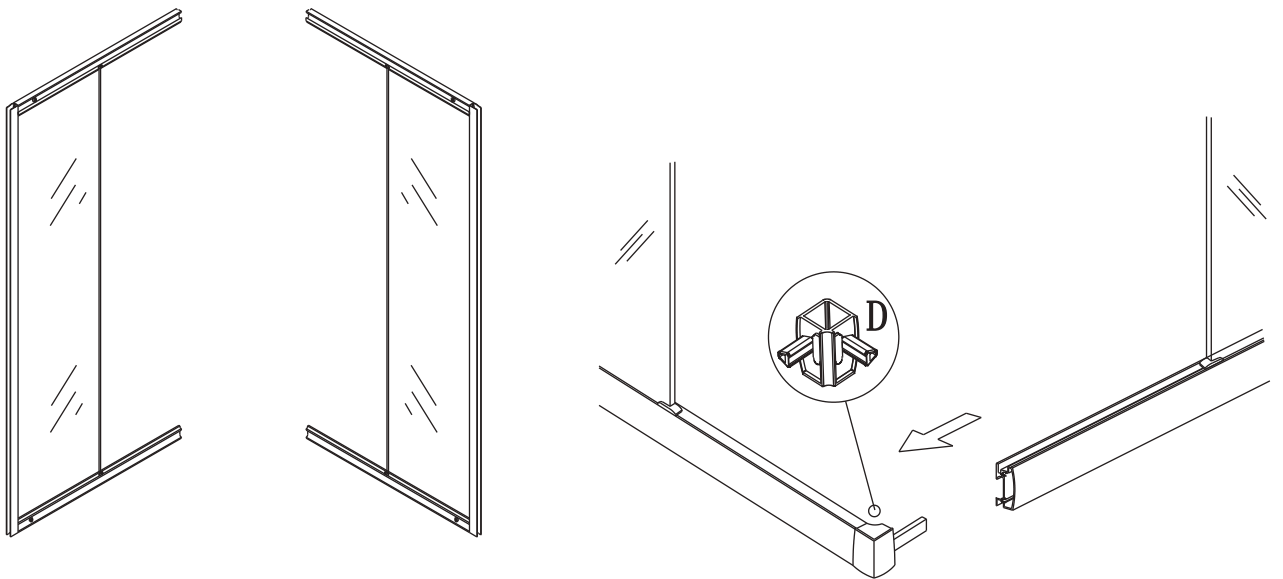


(3)

# 4

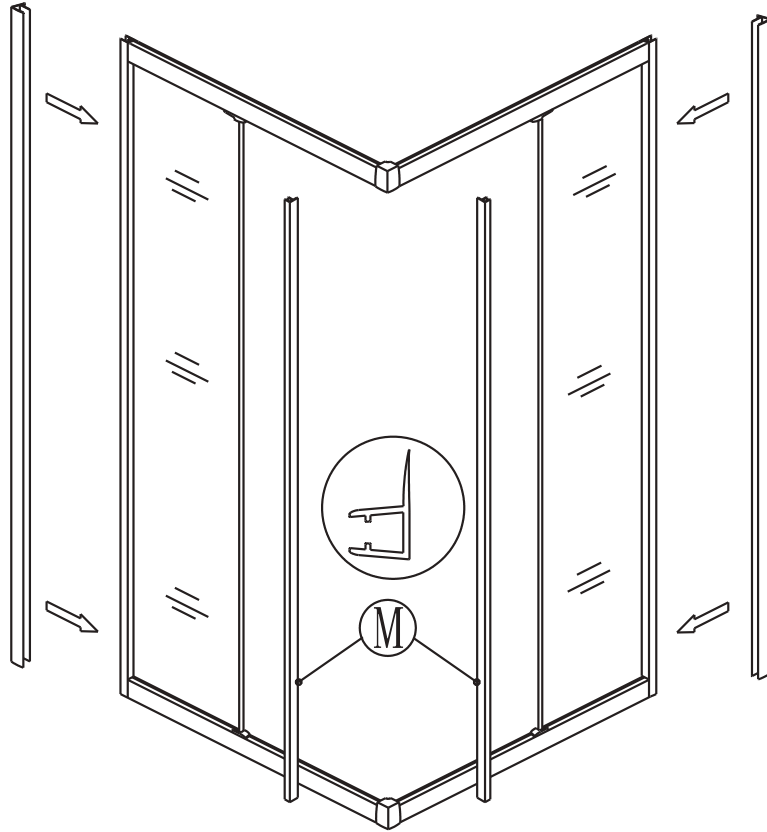


# 5

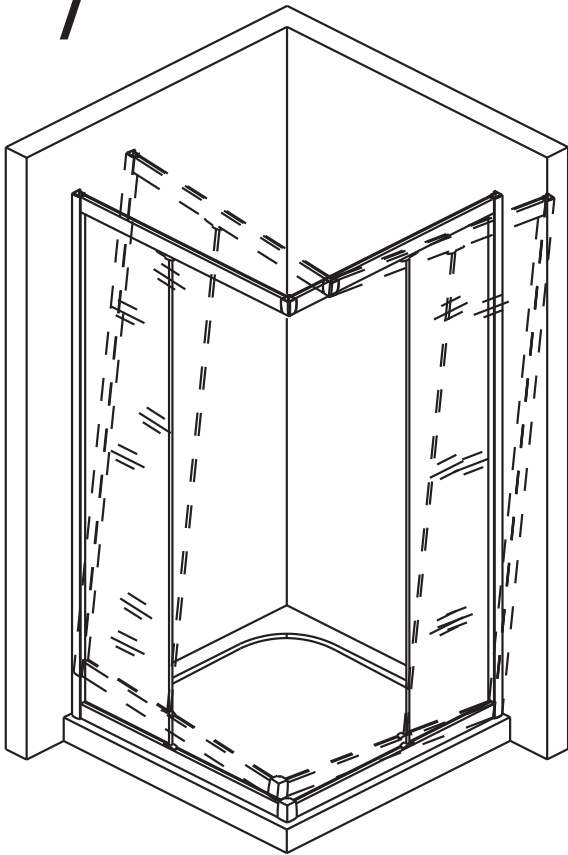


(4)

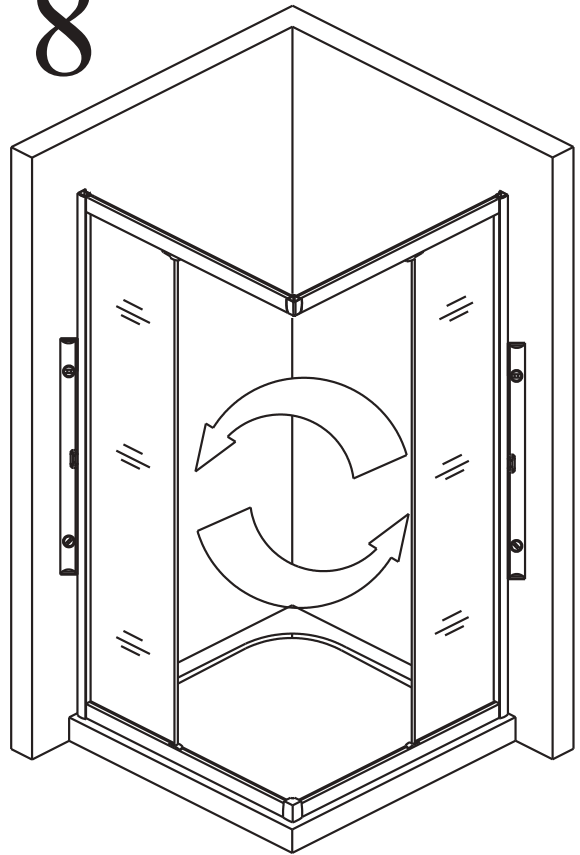
6



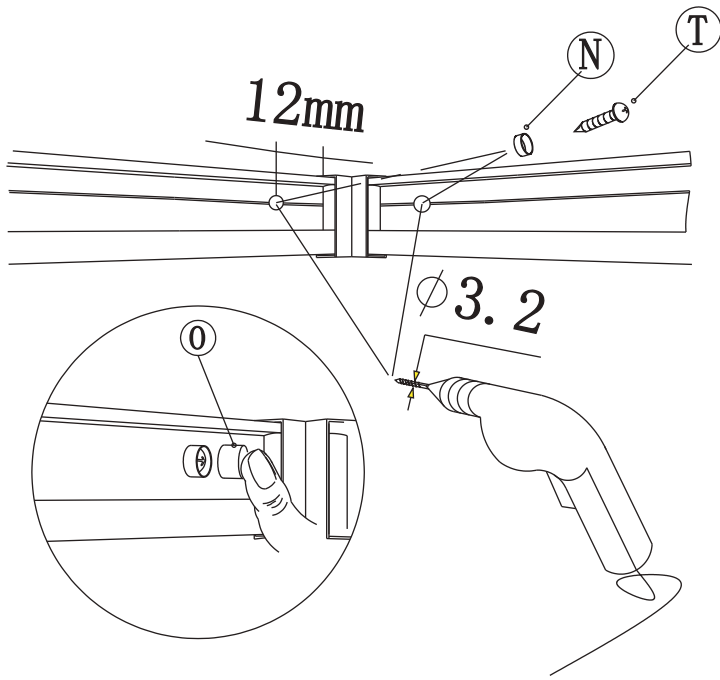
7



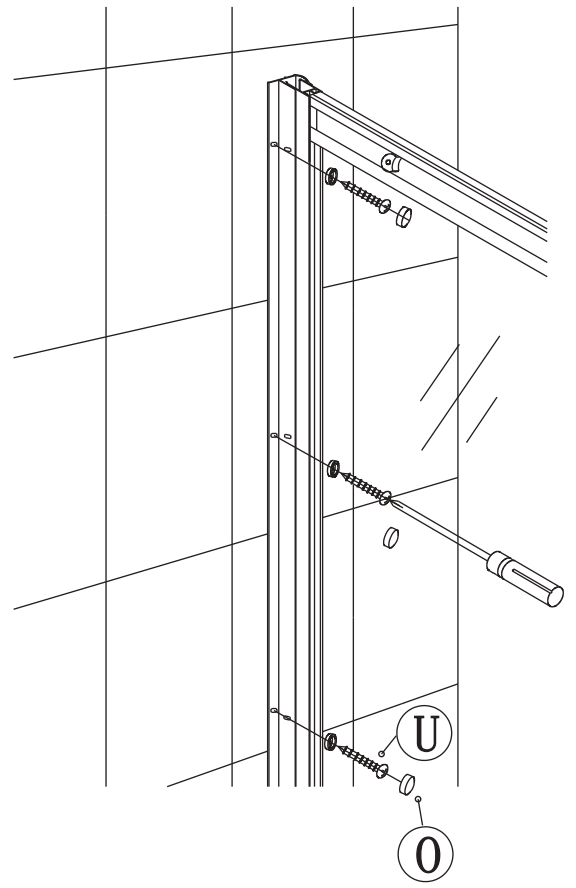
8



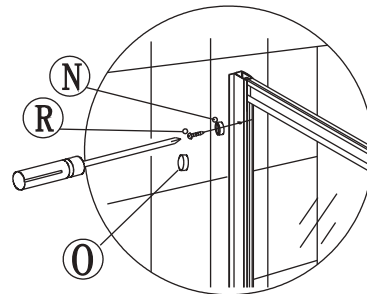
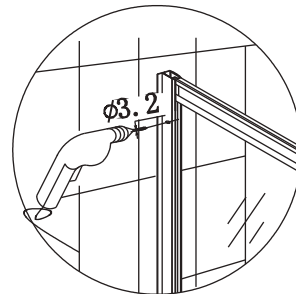
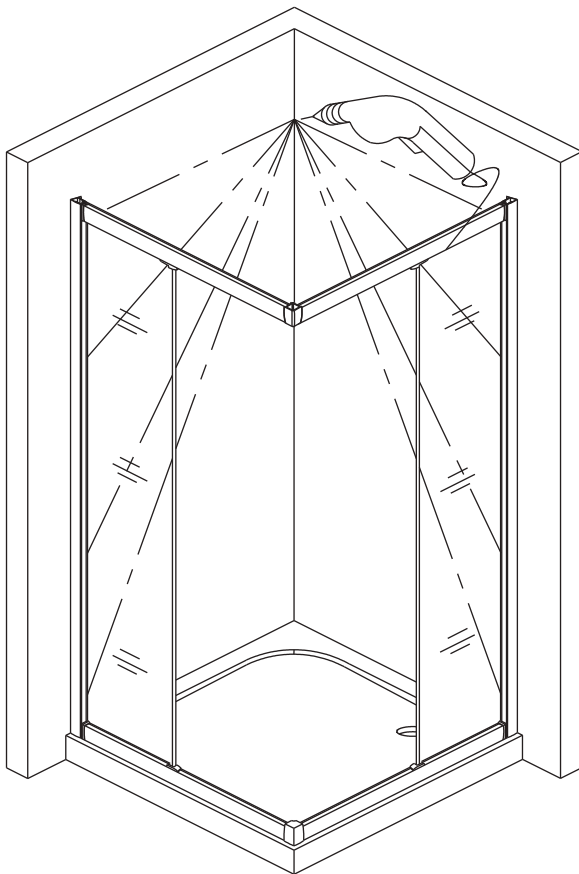
9



10

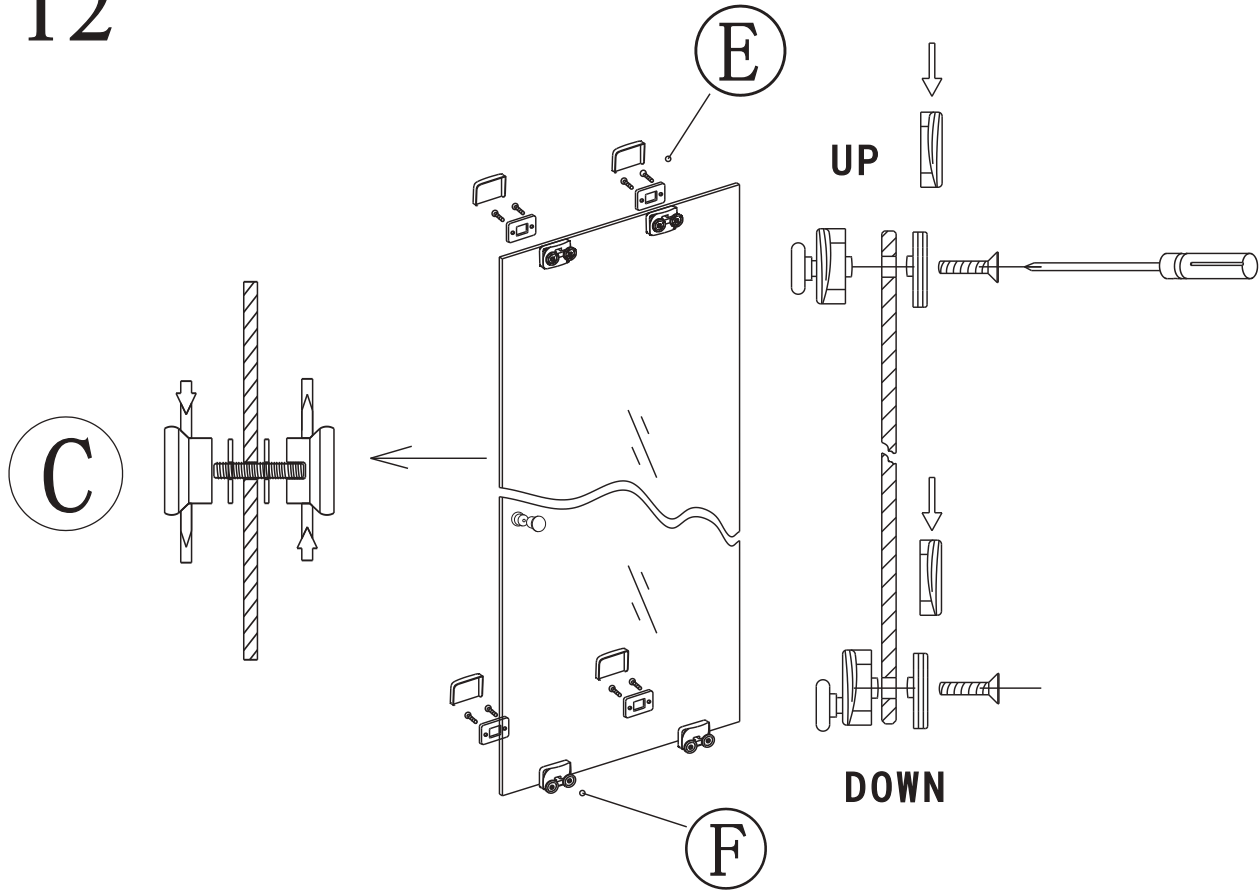


11

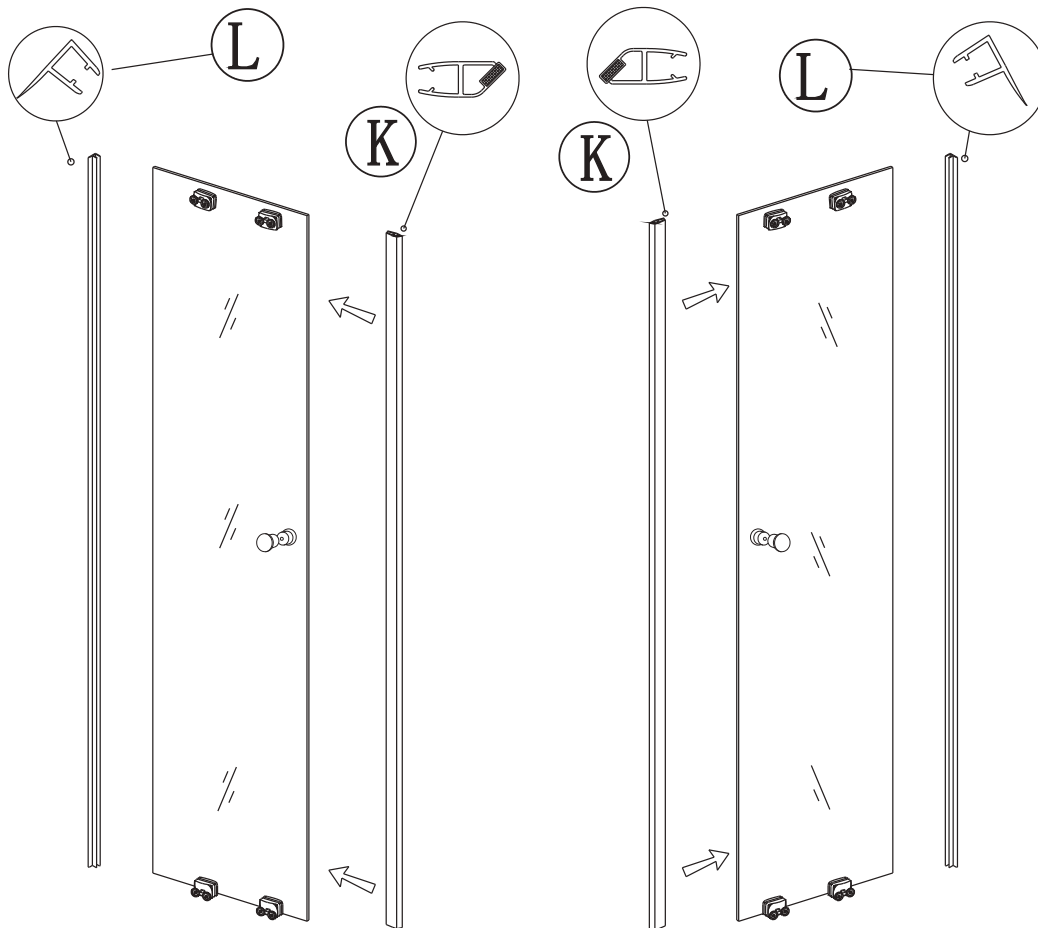


(6)

12



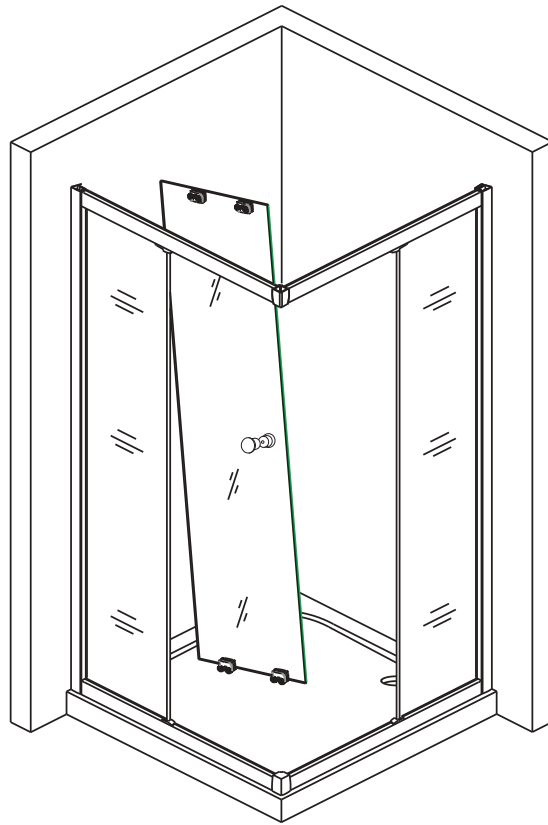
13



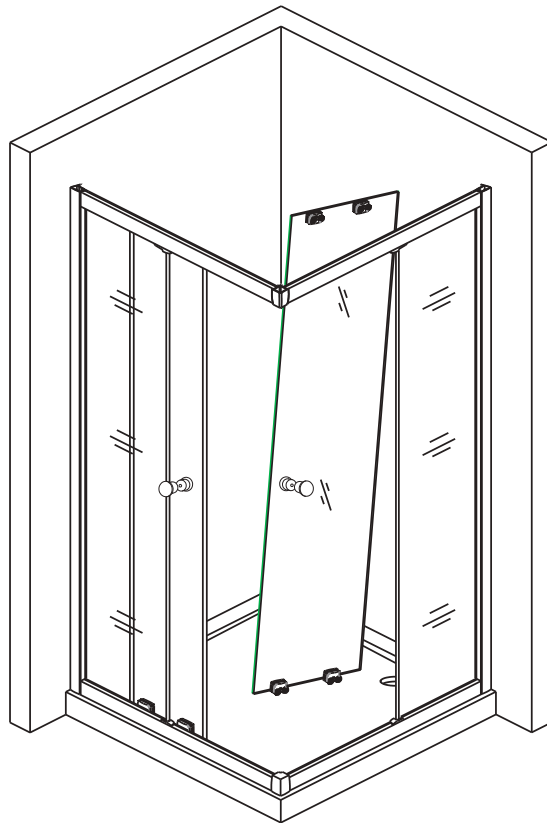
(7)



14

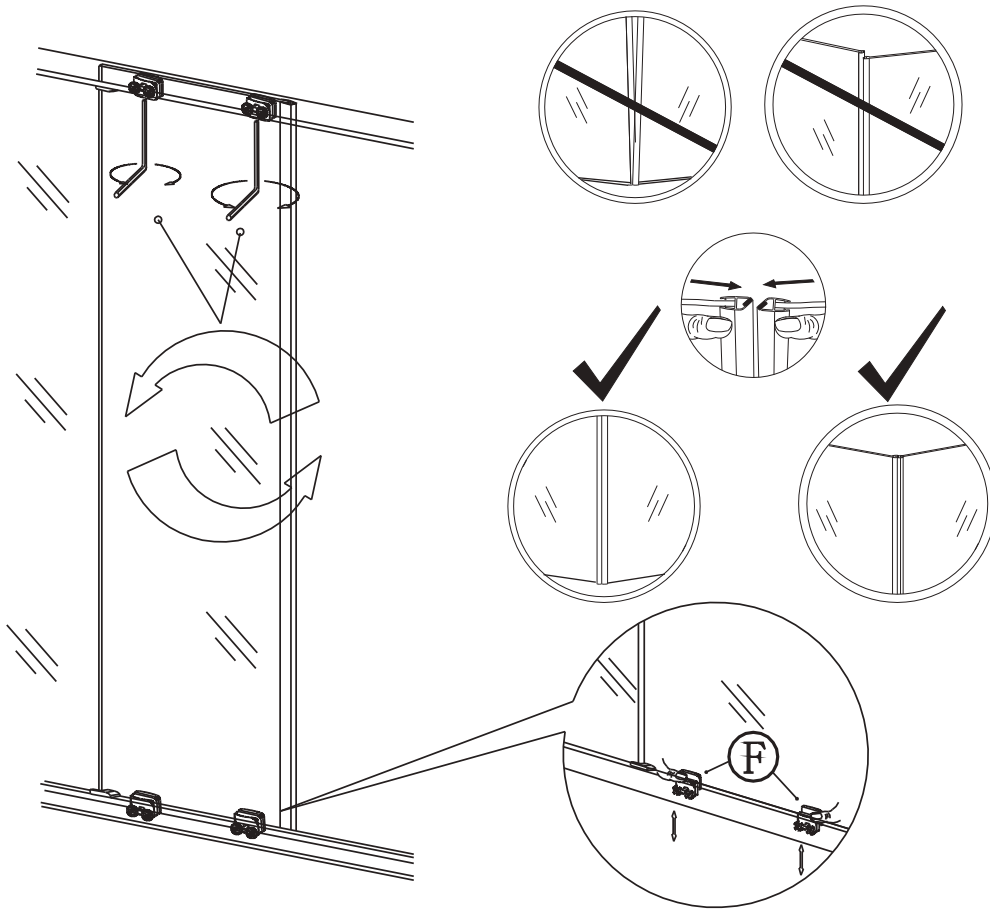


15

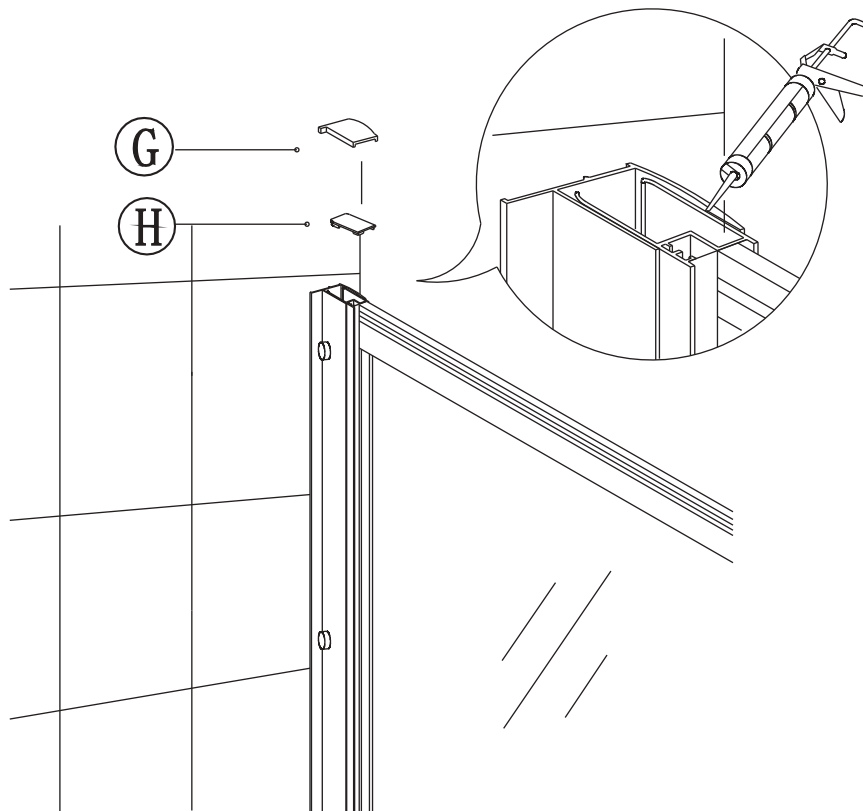


(8)

16



17



(9)

18

