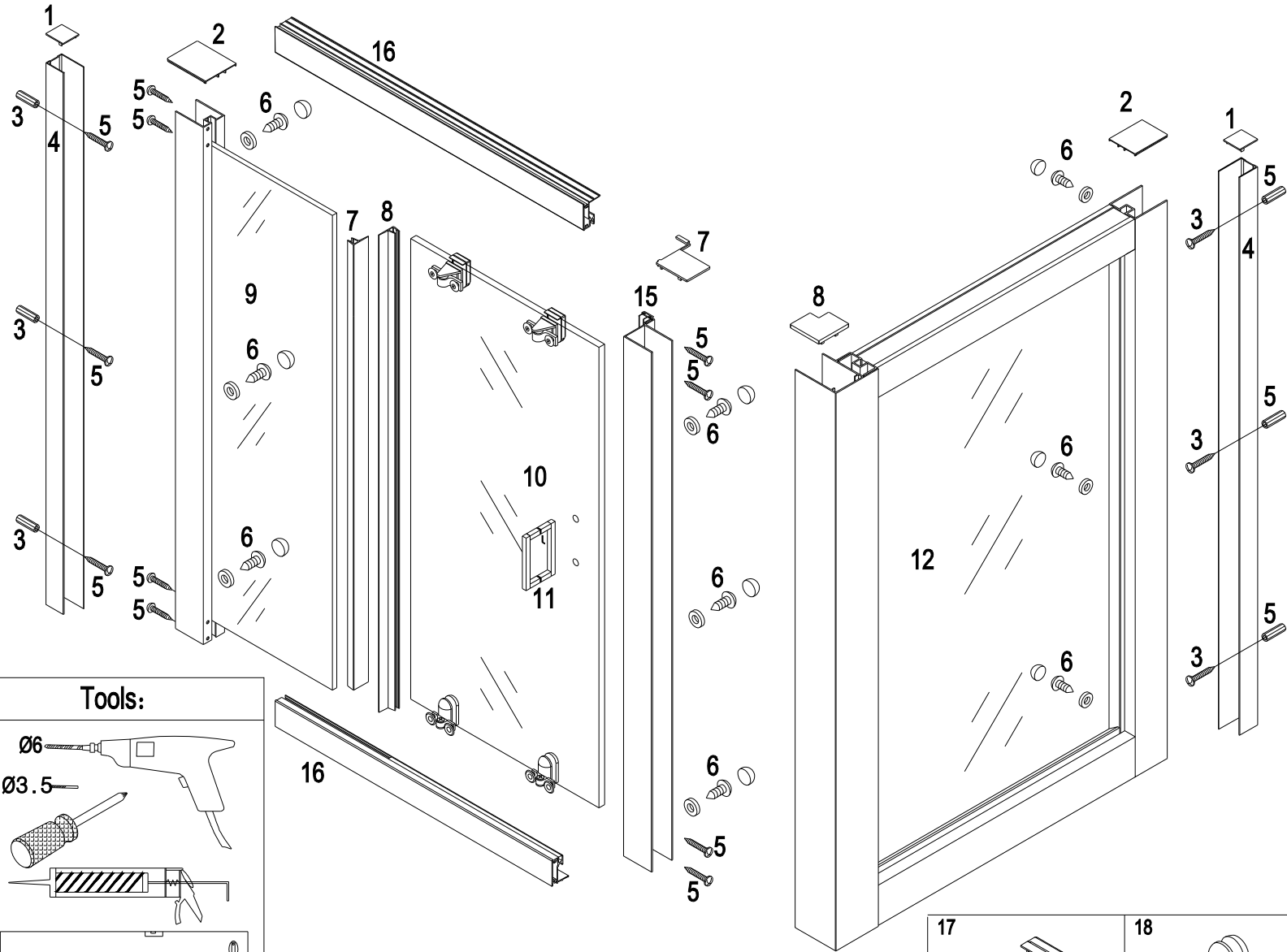


# PORTA-AH-11 INSTALLATIONS MANUAL



1  2Pcs	2  2Pcs
3  6Pcs	4  2Pcs
5 ST4X30  14Pcs	6 ST4X12  9Sets
7  2Pcs	8  2Pcs
9  1Pc	10  1Pc
11  1Set	12  1Pc
13 Short  1Pc	14 Long  1Pc
15  1Pc	16  2Pcs
17  2Pcs	18  2Pcs

**Tools:**

- Ø6
- Ø3.5
- 
- 
- 
- 
- 
- 
-

